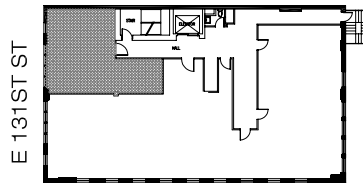
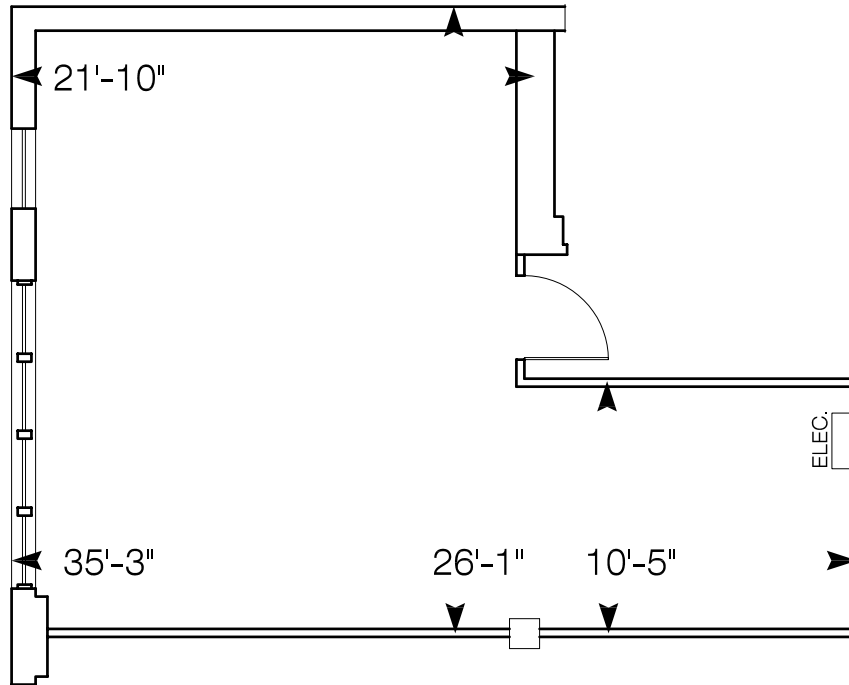


68-72 EAST 131ST STREET, NEW YORK

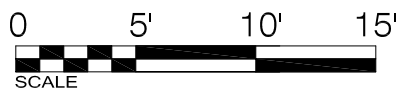
Suite 607

947 Rentable Square Feet

RENTAL OFFICES: 212-926-0012 and 212-751-4200



KEY PLAN - 6TH FLOOR



DRAWING MAY NOT BE TO SCALE
ERRORS AND OMISSIONS EXCEPTED
ALL DIMENSIONS ARE APPROXIMATE AND MAY VARY
RENTABLE AREA INCLUDES A SHARE OF SERVICE AND COMMON AREAS SUCH AS
LOBBY, HALLS, STAIRS, ELEVATORS, MECHANICAL ROOMS AND WASHROOMS

AVAILABLE POWER 60 AMPS
INSTALLED BTU_h = 15,620

UNIT HEIGHT = 9'-3"
FLOOR TO CEILING

FLOOR LOAD CAPACITY = 120 PSF
1 ELEVATOR

WEBSITE: www.yellowbrickloft.com